



## PRODUCT BROCHURE



**'Experience'** is precious!

# DEMA FORMWORK



## About Us

DEMA FORMWORK SYSTEMS ENGINEERING was established in Ankara in 2011.

A group of highly experienced and talented employees, all engineers, designers and fabricators with more than 25 years of experience were suddenly faced with the pending prospect of unemployment due to the unexpected closing of their previously very successful company. This cooperative of talent and experience, passionate about steel fabrication and formworks, got together and formed DEMA FORMWORK.

DEMA FORMWORK, had modest beginning with a very small design and manufacturing workshop but growth and market share has been exponentially increasing year on year since its establishment. Now today DEMA FORMWORK has an enviable list of references and repeat customers stretching from Jamaica through to Mongolia to date, DEMA FORMWORK currently exports to more than 41 countries on five continents, and is quickly becoming a truly global specialist formwork systems, precast molds and steel projects and manufacturing company.

DEMA FORMWORK is located in Ankara, in a 12,000 m<sup>2</sup> production facility and project design center built specifically for purpose. The 120 meter long factory building includes two production halls with a total area of 5000 m<sup>2</sup>, a finishing and painting area of 1000 m<sup>2</sup>, a 900 m<sup>2</sup> administration and management office area and a 5000 m<sup>2</sup> facility complete with both gantry and tower cranes for loading customer orders. Additionally, there is a warehouse and storage area totalling 6000m<sup>2</sup>.

### **Our Vision;**

To keep the satisfaction of our customers, suppliers and employees with whom we work at home and abroad at the highest level, to create new job opportunities, to contribute to the country's economy and to provide employment.

### **Our Mission;**

As DEMA FORMWORK; We handle every project with a professional management approach; Our aim is to complete each new Project in a timely manner, exceeding expectations, in accordance with all quality standards, and to offer products and services to our customers at the most affordable cost point possible.

# TUNNEL FORM SYSTEMS



## Why Use Tunnel Form?

A building system that has been around for sixty years... The only construction system that is often specified by astute developers before an Architect is selected. A building system that is used worldwide from Venezuela through to Mongolia for building social / economic housing.

A system that is used to construct student dormitories, hospitals, prisons and military barracks by governments. A building system that is used to construct luxury villas, 40+ floor high rise apartment buildings, condominiums, mass social housing projects and hotels by the private sector.

A building system adored by astute developers for its speed, quality, systemization, low labour costs and planneable early completion dates.

A system that is still simply unique in the construction world in that it achieves an earthquake safe, in situ wall and slab completed in one day.

A building system that gives you **1 floor in 1 day, everyday!**



Al-Najaf / IRAQ



Riyadh / SAUDI ARABIA



Ankara / TÜRKİYE

# INFRASTRUCTURE TUNNELLING



DEMA FORMWORK has been producing innovative and specially designed infrastructure tunnel formwork systems for many years. NATM drilling Tunnel Formwork systems (travelling shutters) are fast and economical solution for dams, hydroelectric power plants, railway, metro highway and mining tunnels. DEMA FORMWORK has the production capacity and project experience for the highest quality and economical infrastructure tunnel formwork and auxiliary equipment solutions to meet your project requirements.

Our company with over 25 years of experience and with an elite management team have for the part 13 years been providing tunnelling solutions for subways, highways, railways, irrigation, construction of infrastructure such as dams and hydroelectric projects.



Batumi / GEORGIA



Mosul / IRAQ



Mosul / IRAQ

# STEEL CONSTRUCTION SYSTEMS



DEMA FORMWORKS; With our expert design team supported by the latest 2D and 3D calculation and drawing computer programs provides specialist services in engineering calculations, project design solutions and manufacturing and assembly of steel construction structure worldwide. Call us with your steel project requirements today.

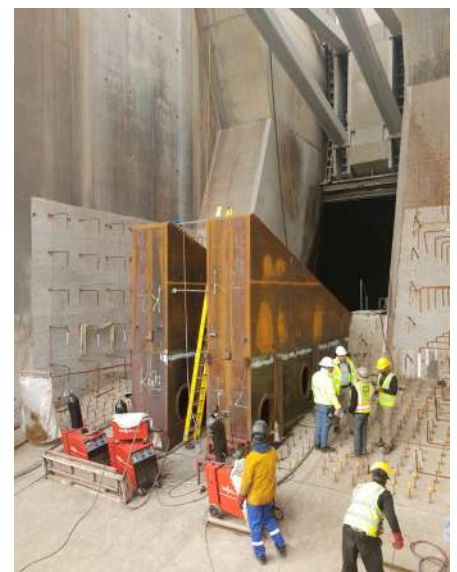
- Industrial Facilities,
- Multi-Storey Steel Structures,
- Steel Warehouses, Silos and Hangars,
- Sports facilities & Gyms,
- Agricultural Buildings
- Steel Towers,
- Art structures,
- Steel Bridges,
- Dam Structures,
- Jib, Ceiling and Gantry Cranes,



Mosul Badush Bridge / IRAQ



Ankara / TÜRKİYE



Mosul Dam / IRAQ

# PRECAST FORMWORKS



Precast design can only be described as an “ocean” of diverse possibilities. There is almost no limit in terms of design possibilities. From simple wall panels to concrete electrical transformer cabins, to the most complex concrete distribution systems and precast mass production lines, DEMA FORMWORK can assist you in shaping your reinforced concrete to whatever end product you require. DEMA FORMWORK has the knowledge to offer ultimately cost-effective solutions that give you reliable, consistently repeatable results in your castings time after time.

DEMA FORMWORK, is now a major player in the region in the design of precast molds and formwork systems and with continued R&D, specialist welding certifications and growing product range and design capabilities and the continued client trust and support, we have a growing reputation worldwide with a presence on 5 continents. DEMA FORMWORK invites you, our valued customers, to discuss any precast molds or formwork ideas and requirements such as

- Bridge beams (girder)
- Industrial buildings
- Transformer stations (cabins)
- Sub-stations
- Vacuum chambers
- Rail sleepers
- Jersey barriers
- Sea defences
- Stadiums
- Culverts
- Slabs
- Retaining walls
- Lego concrete
- Tilting table





Dohuk / IRAQ  
Vertical Wall Mould  
(8 Batteries)



Süleymaniye/ IRAQ  
Girder Mould



Tashkent / OZBEKSTAN  
Tilt - Up Table  
Wall Mould



Denizli / TÜRKİYE  
Column Mould



Tashkent / OZBEKSTAN  
Perlin Mould



Uşak / TÜRKİYE  
Roof Truss Mould



Krasnodar / RUSSIA  
Stadium Stairs



Tunis / TUNISIA  
U Channel Mould



Al Anbar Stadium / IRAQ  
Retaining Wall

# TUNNEL FORM APPLICATION



It is now universally accepted that residential projects implemented with tunnel formwork cost 35-40% less than projects constructed with traditional formwork systems. Pouring more concrete with less labor and specifically being able to pour concrete every day is the real benefit of the tunnel formwork system. Of course, to achieve this daily casting performance goal can only be achieved with an experienced management team, a good organizational structure, smart planning and ultimately the right workforce. At this point, DEMA FORMWORK will be with you. Thanks to the consultancy service we provide to our customers who have used our systems in Djibouti, India, Qatar, Mongolia and Iraq, we have helped our customers to complete their projects to greatly reduced timeframes and at much reduced cost. We are with you from concept until completion of your Project, starting from the initial Project concept and design phase of your project design through to preparing the strategic planning and logistics on how it will be achieved on site, to forming the engineering management and crew teams to bring the Project to reality and completion. We look forward to sharing our experience to help you guarantee success.



Doha / QATAR  
6.780 Apartment



Al- Najaf - Al Ameraat / IRAQ  
3.000 Double Storey Villas



Baghdad Bodour / IRAQ  
1.000 Double Storey Villas



# CAST-IN-SITU FORMWORKS



DEMA FORMWORK designs and manufactures in-situ casting moulds and formworks to any complexity and able to shape your concrete as required . We also offer in our product range traditional general propping, scaffolding and plywood and steel-based moulds, table systems and climbing formwork systems. DEMA FORMWORK whatever the design challenge, welcomes the opportunity to become your trusted solution partner in all your on-site casting projects



Riyadh / SAUDI ARABIA



Erbil / IRAQ



Ankara / TÜRKİYE

# CULVERT MOLDS



DEMA FORMWORK has made a name for itself with its uniquely designed fully hydraulic box culvert molds, which it produces for major infrastructure projects in Turkey, Turkmenistan and the Middle East, especially Saudi Arabia. Our company is proud to offer our valued customers a proven formwork system that allows them to pour culvert concrete with less manpower and minimum error.



Samsun / TÜRKİYE



Riyadh / SAUDI ARABIA



Erbil / IRAQ

# BARRIER MOULD



A Jersey barrier, is a modular concrete employed to separate lanes of traffic. It is designed to minimize vehicle damage in cases of incidental contact while still preventing vehicle crossovers resulting in a likely head-on collision. Jersey barriers are also used to reroute traffic and protect pedestrians and workers during highway construction.

DEMA is proud to present its own design of Barrier Moulds in 3 options as single, double and long line barrier moulds.

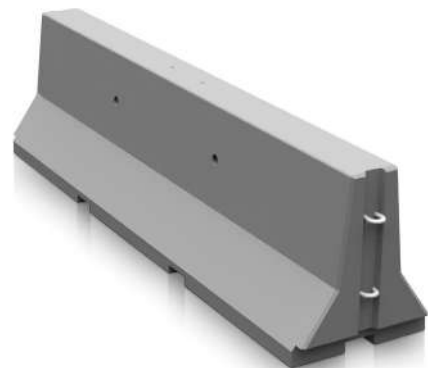
**More than 300 barrier moulds produced by DEMA** are currently pouring their concrete in Iraq. DEMA's moulds are long-lasting and produce excellent concrete. It reduces labor cost on concrete and enables you to make fast production.



Baghdad/ IRAQ



Baghdad/ IRAQ





## DEMA Around The World



**5 Continents 40+ Countries**



info@deneyimmakina.com

By **deneyim**  
makina kalıp sistemleri



info@demaform.com

İstanbul Yolu 35.Km Orhaniye Mah. Kümeevleri No:330 Kahramankazan / ANKARA / TÜRKİYE  
Tel: +90 312 395 91 83 / +90 312 815 15 44 Fax: +90 312 395 91 84